



 **EGE**
INDUSTRIAL CONTROLS

ecoflo[®]
Control Valves

www.egecontrols.com

EGE
6
2500
W CB
256



Welcome to EGE!

We have come a long way **since 1999**, when we decided to go on the track to produce **industrial control valves** for the industrial process control market.

It has always been our primary goal to develop high performance products especially for **high pressure – high temperature applications**, backed by a **superior quality** in manufacturing and services.

At this point, we are proud of being a leading company which supplies its products to almost all basic industries worldwide, with presence in the approved vendor lists of global clients, supported by a continued investment in **quality procedures and certifications** as well as in **R&D projects**.

I would personally like to thank all our clients who have given us the valuable opportunities to work with them, and our high quality suppliers, and our employees who have always given their best to realize our production and services.

With my best wishes for an ever growing cooperation with our business partners!

Sincerely Yours,

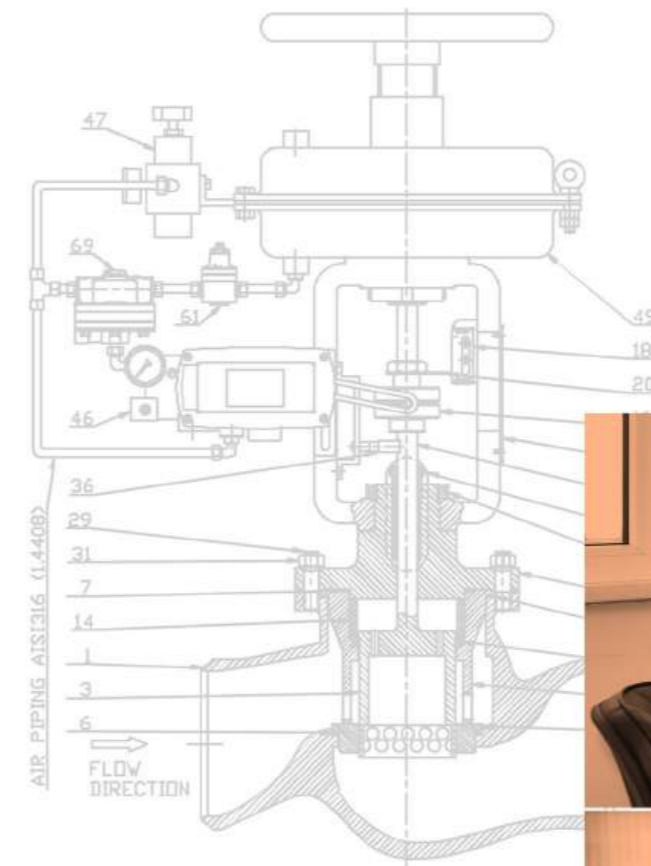
Mustafa Naymanlar
Managing Director

June 2016

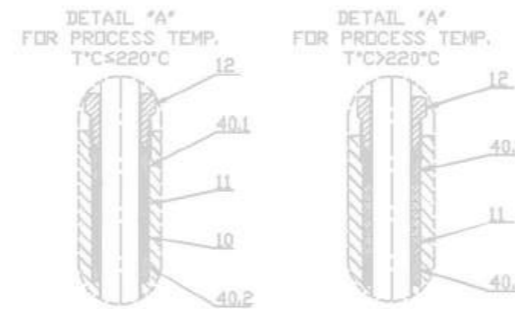


EGE INDUSTRIAL CONTROLS INDUSTRIES

-  POWER PLANTS
-  CHEMICAL & PETROCHEMICAL
-  OIL & GAS
-  IRON & STEEL
-  MINING
-  MACHINERY & SYSTEM AUTOMATION
-  OTHER PROCESS INDUSTRIES



NO.	PART NAME	MATERIAL
1	BODY	0.6025 (GG-25), 0.7040 (GGG-40), 1.0619 (A216 WCB), L7389 (A217 WC9), 1.4462 (DUPLEX), 1.4301 (AISI304), 1.4408 (AISI316), 1.4571 (AISI316)
2	SEAT	1.4408 (AISI316), 1.4404 (AISI316L), 1.4462 (DUPLEX), 1.4021 (AISI420)
3	PLUG INTEGRAL WITH STEM	1.4408 (AISI316), 1.4404 (AISI316L), 1.4462 (DUPLEX), 1.4021 (AISI420)
4	STEM	1.4408 (AISI316), 1.4404 (AISI316L), 1.4462 (DUPLEX), 1.4021 (AISI420)



69	VOLUME BOOSTER	-
----	----------------	---

R&D and Design

Unique in-house studies from numerical flow analysis to determination of **construction materials** and to **overall design optimization**.

Correct interpretation of customer requirements with basic and applied engineering, resulting in **long-life and high-performance products**.

NO.	DESCRIPTION	DATE	NAME / SIGN.	TAG NO. / PROJECT
	DRAWN	25.06.2015	F.Y.	-
	CHECKED	25.06.2015	F.K.	ecoflo -GV SERIES
	APP.	25.06.2015	M.N.	PRESSURE-BALANC
EGE INDUSTRIAL CONTROLS CO., LTD.				DWG NO. : 16564
www.egacontrols.com				REV. NO. : 0

⚡ POWER PLANTS

Wide experience gained in power plants for more than **20 years**.

Close collaboration with engineering firms, EPCs and investors **worldwide**.

Projects realized with **direct technical support** from vendor, **before and after sales**.

High pressure – high temperature, high pressure drop applications.

Steam boiler and **steam turbine** applications.





CHEMICAL & PETROCHEMICAL

Distinguished solutions for different processes.

Wide selection of body and trim materials.

Applications for fluids with **high density, high viscosity**, and for fluids **with particle content** or **with sticky behaviour**.

Designs for **acidic and corrosive fluids** as well as for **corrosive environment**.



🔹 OIL & GAS

Superior control valves with **high quality** in construction materials and manufacturing.

Dedicated designs, production and tests to ANSI and EN norms.

Quality certification audited by **Bureau Veritas**.

High level of technical documentation.



↙ IRON & STEEL

Blast furnace gas and **coke oven gas** applications, **constructional steel production** processes.

Designs for **dirty and abrasive fluids** and for **heavy environmental conditions**.

Cryogenic applications.



MINING

Special designs for mine solutions, acidic and abrasive fluids.

Special body and actuator coatings for severe environmental conditions.

High performance control valves for **superheated steam**.



⚙️ MACHINERY & SYSTEM AUTOMATION

Pneumatic and electric control valves for steam and thermal oil systems, for packaging and filling / blending machinery, air and gas facilities, and dyeing plants,

Micro-flow control valves.

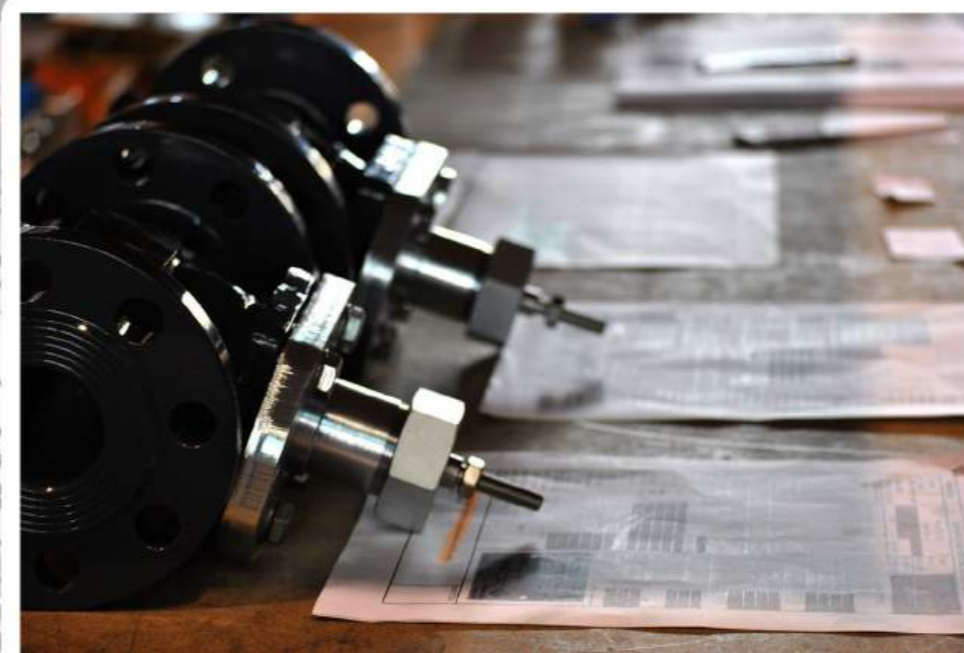
Communication and signallization compatible with existing control system :
Variety of **limit switches, air directional valves, smart positioners, components with advanced diagnostics.**



Turn-key valve packages : Control valves, on-off valves, regulators, safety valves, manual valves.

Complete valve solutions for power plants, chemical and petrochemical plants, oil and gas refineries, and other process industries.

Single source for all product groups, complete with **individual quality certification and after-sales warranty.**





Integrated quality management system from quotation stage through order phase and to after-delivery stage.

Documented quality control for all parts and components during every stage of production according to ISO and CE directives.

Detailed final control tests for finished products.

EN 10204 3.1 certification for all products prior to shipment.



MODEL : **ecoflo**[®]
 GV2-5-40-F7-350-T-P2-FR
 -HRT-SK-LS2-0
 TAG NO. 5116903
 S/N 2015-105-22
 SIZE 1 1/2"
 RATING ANSI600
 Kvs / Cv 1.22
 ΔP SHUT 28.5 BAR
 BODY MAT'L WCB
 TRIM MAT'L AISI316
 ACT. MODEL DPA350
 AIR TO OPEN
 STROKE 18 MM
 CONTROL SIG. 4-20mA
 AIR SUPPLY 3.3 BAR
EGE 2015
 www.egecontrols.com
 MADE IN TURKEY
 CE 2287



TECHNICAL SUPPORT



Site survey prior to quotation.

Support for preparation of technical specifications.

Supervision for installation and start-up.

Prompt and effective technical support after delivery by expert staff.



High manufacturing and assembly quality.

Documented quality for **advanced casting and forging processes.**

Product assurance due to **in-house production, assembly and tests.**

Highly experienced personnel on industrial valve production.



VALVES



EGE
2500 WCB
2569



Entire order **processing from a single hand**, from order stage to shipment and delivery.

Effective and timely communication with clients about order status.

Expert personnel on import & export procedures.





Izmir Serbest Bölgesi (Izmir Free Zone), Menekşe Sok. No: 8 Menemen, İzmir, Türkiye

T : +90 (232) 842 6160 - F : +90 (232) 842 6171

www.egecontrols.com.tr